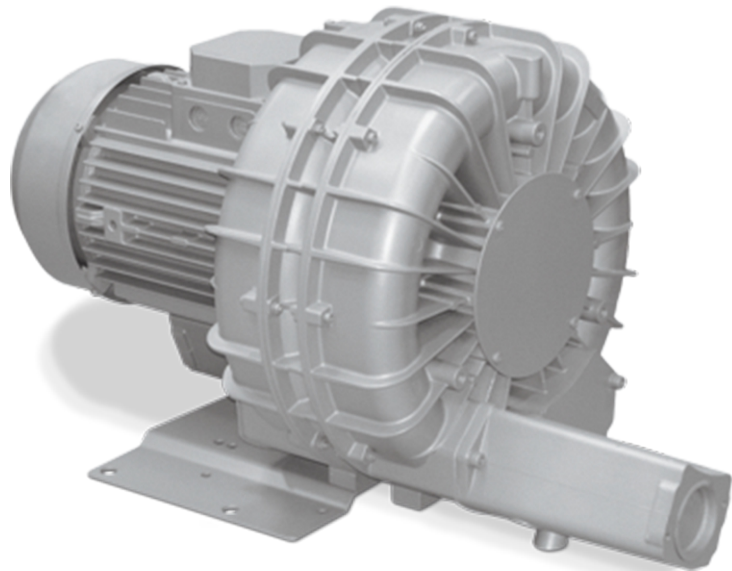


SAMOS SI 0320/1150 E2

Side channel blowers



VACUUM SOLUTIONS



Reliable

Robust construction, effective air cooling, long lifetime, nearly maintenance-free, dry and contact-free operating principle, high differential pressures thanks to two compression stages, protection against overheating

Flexible

Vacuum or overpressure operation, horizontal and vertical installation

Quiet

Low noise level, fully enclosed unit, internal silencers

Accessories

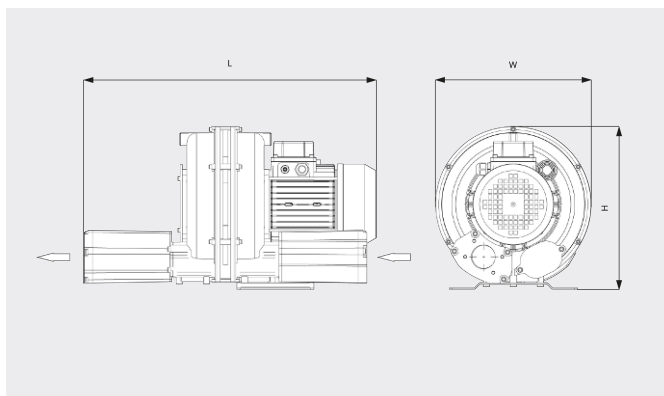
- Vacuum relief valves
- Pressure relief valves
- Additional silencers

SAMOS SI 0320/1150 E2

Side channel blowers



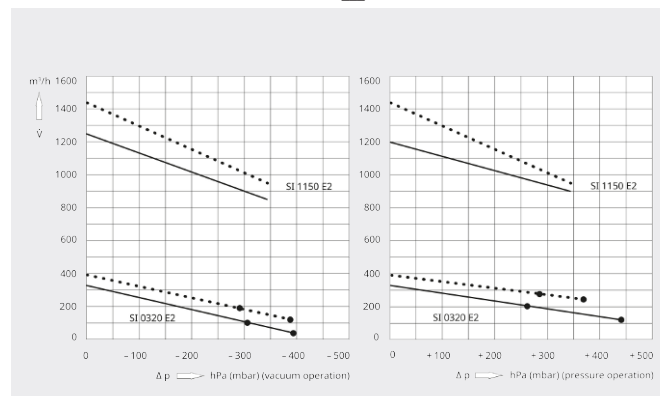
Dimensional drawing



Pumping speed/Volume flow

Air at 20°C. Tolerance: ± 10%

— 50 Hz 60 Hz



	SAMOS SI 0320 E2	SAMOS SI 0320 E2	SAMOS SI 1150 E2
Nominal pumping speed/volume flow	330 / 395 m ³ /h (50 / 60 Hz)	330 / 395 m ³ /h (50 / 60 Hz)	1200 / 1440 m ³ /h (50 / 60 Hz)
Max. differential pressure (vacuum version)	-315 / -295 hPa (mbar) (50 / 60 Hz)	-390 / -380 hPa (mbar) (50 / 60 Hz)	-345 hPa (mbar) (50 / 60 Hz)
Max. differential pressure (overpressure version)	+260 / +275 hPa (mbar) (50 / 60 Hz)	+440 / +370 hPa (mbar) (50 / 60 Hz)	+345 hPa (mbar) (50 / 60 Hz)
Nominal motor rating	4.0 / 4.6 kW (50 / 60 Hz)	5.5 / 6.3 kW (50 / 60 Hz)	20.0 / 25.2 kW (50 / 60 Hz)
Nominal motor speed	3000 / 3600 min ⁻¹ (50 / 60 Hz)	3000 / 3600 min ⁻¹ (50 / 60 Hz)	3000 / 3600 min ⁻¹ (50 / 60 Hz)
Noise level (ISO 3744)	77 / 81 dB(A) (50 / 60 Hz)	77 / 81 dB(A) (50 / 60 Hz)	80 dB(A) (50 / 60 Hz)
Weight approx.	60 kg	60 kg	240 kg
Dimensions (L x W x H)	703 x 395 x 415 mm	703 x 395 x 415 mm	1352 x 615 x 631 mm
Gas inlet / outlet	G 2" / G 2"	G 2" / G 2"	G 4" / G 4"

DO YOU WANT TO KNOW MORE?

Get in touch with us directly!
sales@buschindia.com or +91 (0)124 475 1300



CONTACT FORM



CALL NOW